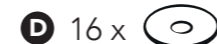
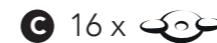
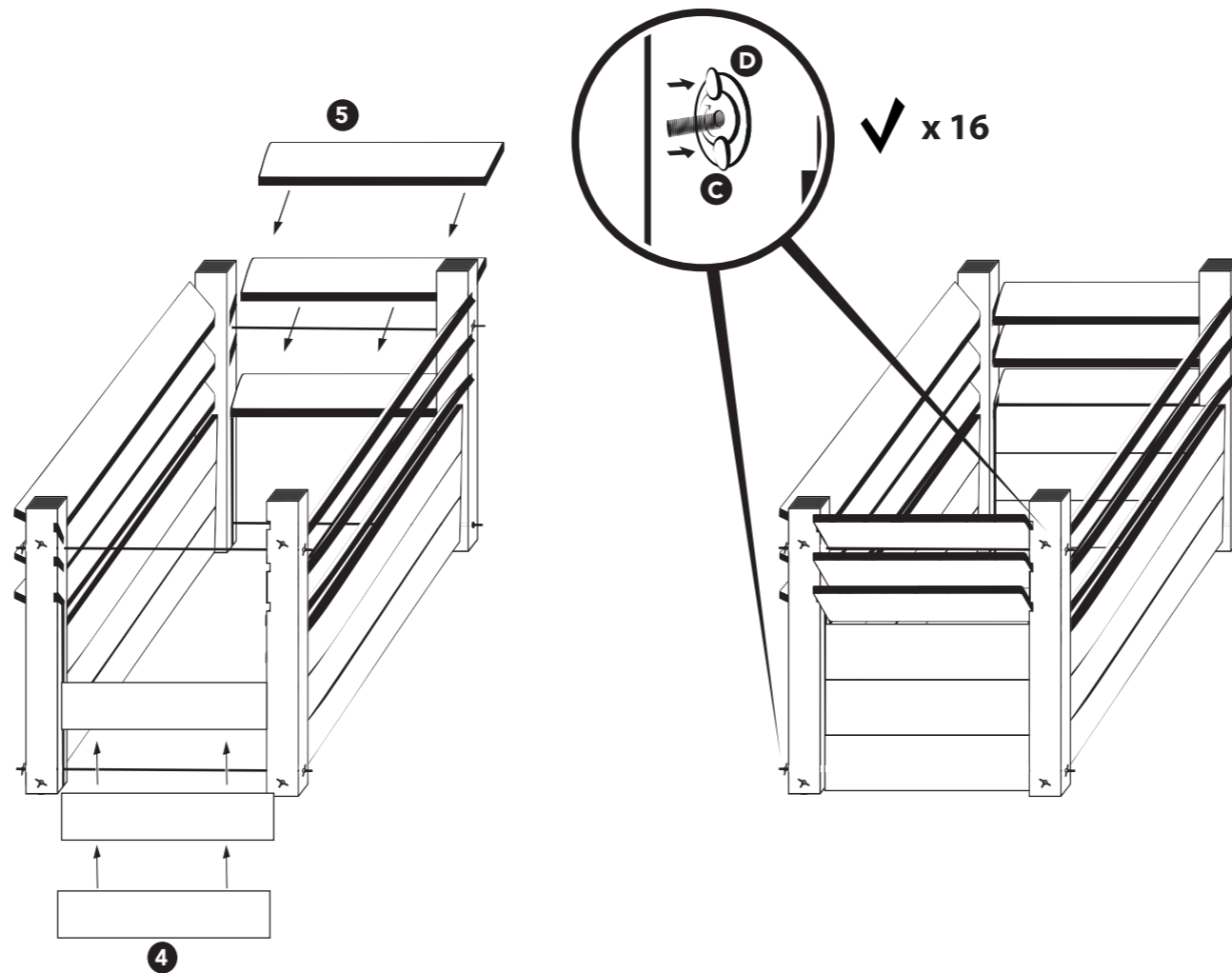
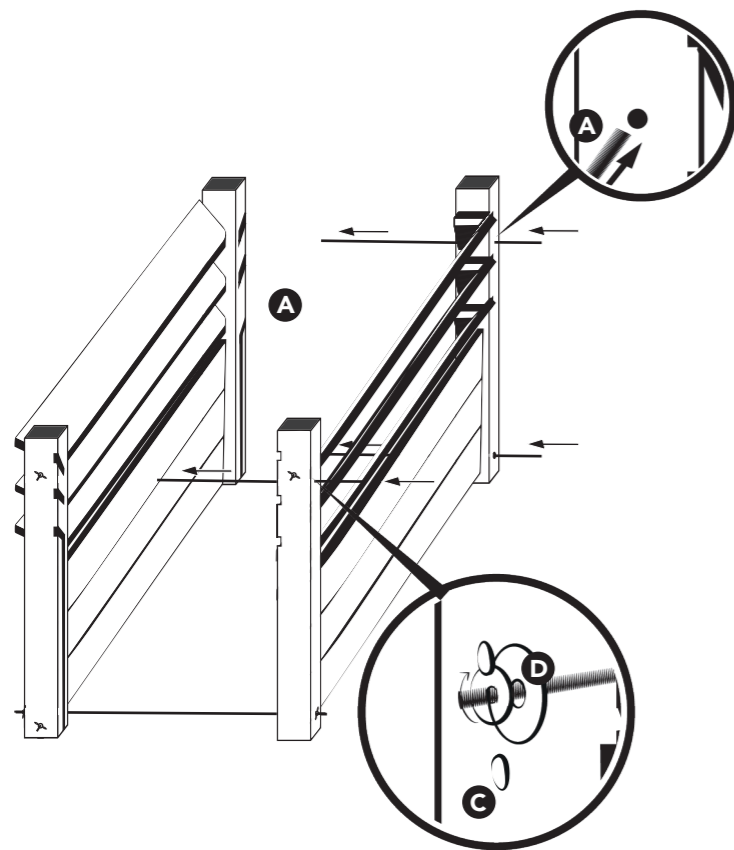
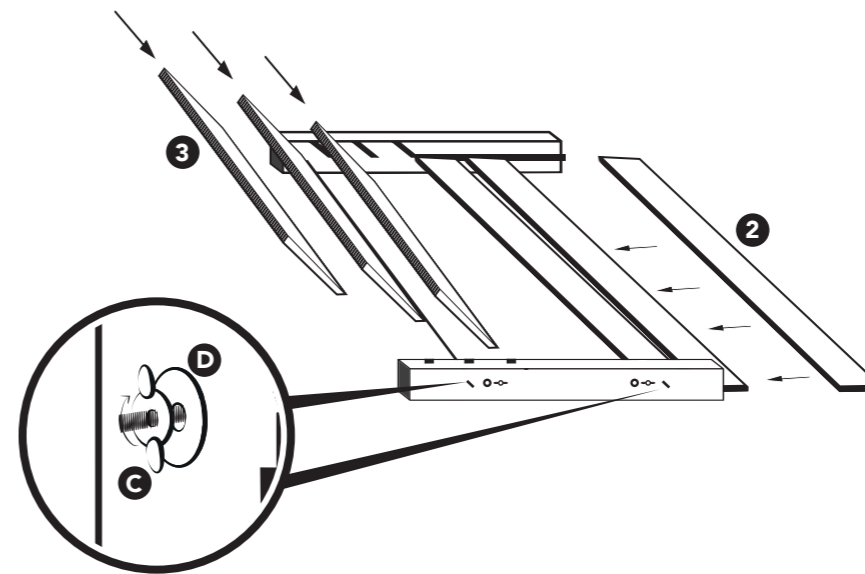
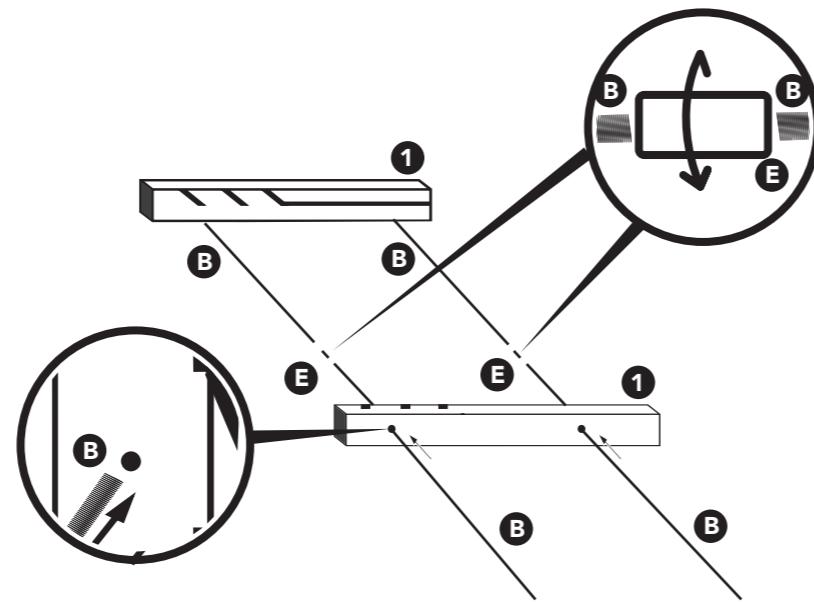


XXL



✓x2



✓x16

